

CS6638 Series • Mesa Switching Diodes

Type	Peak Inverse Voltage (MIN.) (PIV) Volts	Maximum Average Rectified Current (I _O) mA	Maximum Power Dissipation @ 25° C (P _D) mW	Maximum Forward Voltage Drop		Maximum Reverse Leakage Current		Maximum Reverse Recovery (NOTE 1) (t _r) nS	Die Geometry Fig #
				(V _F) Volts	@ I _F mA	(I _R) nA	@ V _R Volts		
CS6638	150	300	750	1.1	200	25	20	4.5	3
CS6642	100	300	750	1.2	100	25	20	5.0	3
CS6643	75	300	750	1.2	100	25	20	6.0	3

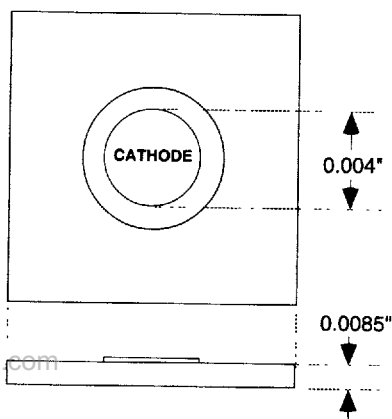
Note 1: I_F = I_R, t_{rr} @ 0.1 I_R

BKC 2000 Series • High Voltage, General Purpose Switching Diodes

Type	Peak Inverse Voltage (MIN.) (PIV) Volts	Maximum Average Rectified Current (I _O) mA	Maximum Power Dissipation @ 25° C (P _D) mW	Maximum Forward Voltage Drop		Maximum Reverse Leakage Current		Maximum Reverse Recovery (NOTE 1) (t _r) nS	Die Geometry Fig #
				(V _F) Volts	@ I _F mA	(I _R) nA	@ V _R Volts		
CSA170	20	150	300	1.0	80	50	10	100	1
CSAV17	25	200	400	1.0	100	100	20	50	1
CSAV18	60	200	400	1.0	100	100	100	50	1
CSAV19	120	200	400	1.0	100	100	100	50	1
CSAV20	200	200	400	1.0	100	100	100	50	1
CSAV21	250	200	400	1.0	100	100	150	50	1
CSAY80	120	200	400	1.0	150	100	200	50	1
CS658	120	200	500	1.0	100	50	50	300	1
CS659	60	200	500	1.0	6	5000	50	-	1
CS660	120	200	500	1.0	6	5000	100	-	1
CS661	240	200	500	1.0	6	10000	200	300	1
CS3070	200	200	500	1.0	100	100	175	50	1
CS4938	200	200	500	1.0	100	100	175	50	1

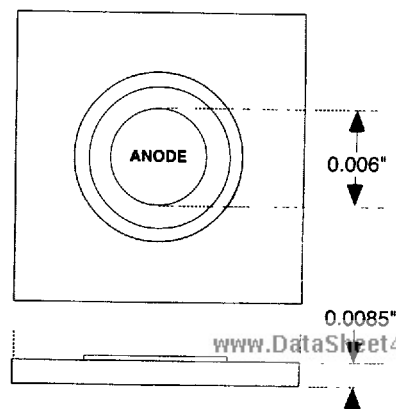
Note 1: I_F = I_R, t_{rr} @ 0.1 I_R

Fig. 3



0.015" x 0.015" Square

Fig. 4



0.015" x 0.015" Square